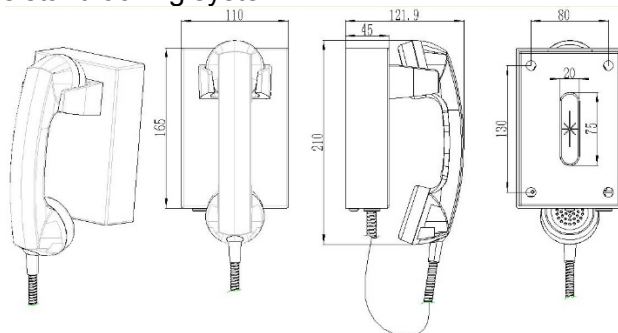




## G-Tel Visitation Phone Model# VP-3500 Armored Analog

### Features:

- Constructed of durable 14-gauge stainless steel
- Built in mounting plate designed for fast, easy installation
- Mounts directly to the wall or installs inside a hood/enclosure
- Mounting plate includes gasket which prevents moisture from entering phone
- Oversized line-wire entrance hole w/ moisture preventing gasket
- Magnetic, sealed Hookswitch
- Armored handset cord, with internal lanyard, is made to Bell Core standards and withstands minimum 800lb pulling test
- Handset cord retaining bracket is designed for fast, easy handset changes
- Stainless steel grommet provides added security for the handset cord
- Adjustable handset cord lengths, comes standard with 24" Handset length
- Optional cord lengths and noise-canceling microphone available
- Tamper resistant locking system



### G-Tel VP-3500 Visitation Phone Technical Parameters:

Protection Class: **IP54**  
 Ambient Temperature:  
 -40 °C ~ + 60 °C  
 -40 F ~ + 140 F  
 Relative Humidity: ≤95%  
 (at room temperature)  
 Atmospheric Pressure:  
 80 ~ 110KPa  
 Frequency Response:  
 250 ~ 3000 Hz  
 Supply Voltage: 48 ~ 60V  
 Feed Current: 25mA  
 Call Transfer Index:

SLR≤12 dB,  
 RLR≤-1dB,  
 STMR≥10dB

Environmental Noise: ≤70dB  
 Ringing level: ≥80dB

Operates on C.O., analog  
 lines or analog dialtone  
 PABX/KSU stations

Dimensions:  
 6 ½ h x 4 ½ w x 4 ½ deep